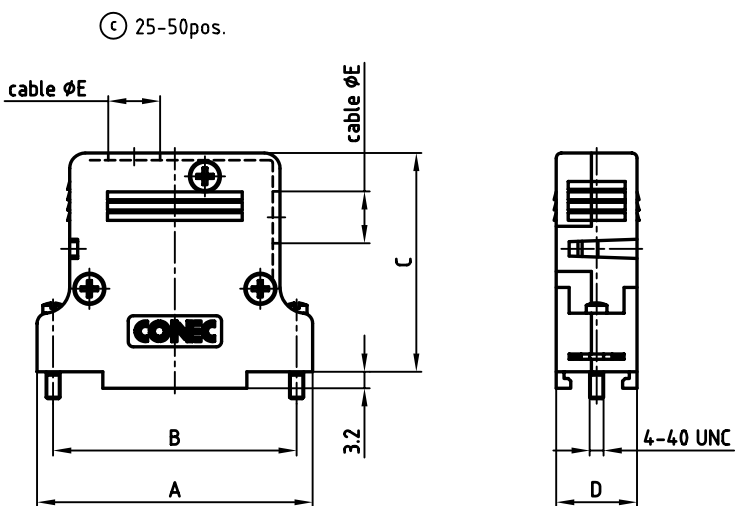
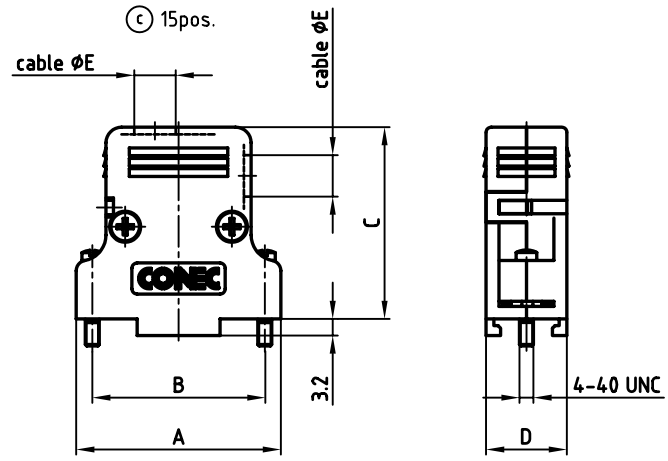
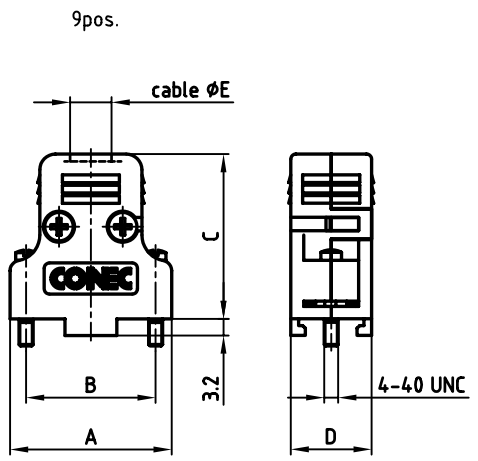


used for: D-SUB



| No. of pos. | A | B | C | D | ØE _{max.} | Part No. Single package | Part No. Bulk package |
|-------------|------|------|------|------|--------------------|-------------------------|-----------------------|
| 9 | 31.2 | 25.0 | 31.8 | 15.6 | 8.0 | 165X11869XE | 165X11869X |
| 15 | 39.5 | 33.3 | 37.0 | 15.6 | 8.0 | 165X11879XE | 165X11879X |
| 25 | 53.2 | 47.0 | 42.2 | 15.6 | 10.0 | 165X11889XE | 165X11889X |
| 37 | 69.7 | 63.5 | 42.2 | 15.6 | 10.0 | 165X11899XE | 165X11899X |
| 50 | 67.3 | 61.1 | 42.2 | 18.5 | 12.5 | 165X11909XE | 165X11909X |

- NOTES:**
- (b) 1. HOOD: PC UL 94 V-0; GREY
 - (b) 2. HOOD PLUG: PC UL 94 V-0; GREY
 - 3. JACKSCREW: BRASS; NICKEL PLATED
 - 4. SCREW FOR STRAIN RELIEF: STEEL; NICKEL PLATED
 - 5. COVER SCREW: STEEL; NICKEL PLATED
 - 6. STRAIN RELIEF: STEEL; NICKEL PLATED

Directive 2002/95/EC
 „RoHS“
 Compliant

APPROVAL # FREIGABE # DEBLOCAGE # AUTORIZACION # APPROVAL

CUSTOMER APPROVAL DATE:

NAME: TITLE:

COMPANY NAME:

APPROVAL # FREIGABE # DEBLOCAGE # AUTORIZACION # APPROVAL

THIS DRAWING MAY NOT BE COPIED OR REPRODUCED IN ANY WAY, AND MAY NOT BE PASSED ON TO A THIRD PARTY, WITHOUT WRITTEN PERMISSION. OWNERSHIP AND COPYRIGHT OF CONEC GmbH DO NOT ALTER CAD DRAWING BY HAND

| | | | | |
|-------|-------------|----------|--------|-------|
| 2 x c | Ä 2795 | 04.09.07 | Lehmen | d-old |
| 3 x b | Ä 2545 | 04.08.06 | HS | |
| a | Origin | | | |
| rev. | description | date | name | |

tolerance: dim. in mm

scale: 1:1

material: SEE NOTES

title: **PLASTIC HOOD**
9pos. with top cable exit
15-50pos. with top and side cable exit

dwg no: AutoCAD 2004 DIN-A 3 sh: 1/1

16K1A1734

part no: SEE TABLE

